



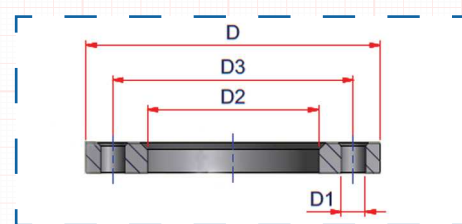
Flanșă liberă OL - ZN PN 10 PE - OL Flange PN 10



Product Certification
BUREAU VERITAS
Certification



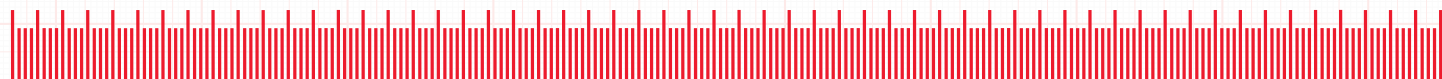
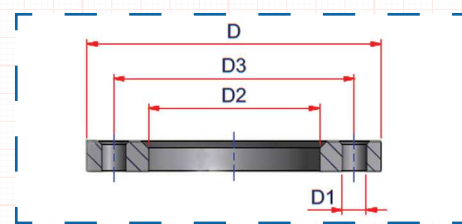
Diametru Diameter	DN	Cod Code	D2	D3	D	D1	Nr. găuri No. of holes	Șurub Screw
25	20	FLL-OLZN-DN0020-10	-	-	-	-	-	-
32	25	FLL-OLZN-DN0025-10	-	-	-	-	-	-
40	32	FLL-OLZN-DN0032-10	-	-	-	-	-	-
50	40	FLL-OLZN-DN0040-10	-	-	-	-	-	-
63	50	FLL-OLZN-DN0050-10	78	125	165	18	4	M16
75	65	FLL-OLZN-DN0065-10	92	145	185	18	4	M16
90	80	FLL-OLZN-DN0080-10	108	160	200	18	8	M16
110	100	FLL-OLZN-DN0100-1-10	130	180	220	18	8	M16
125	100	FLL-OLZN-DN0100-2-10	135	180	220	18	8	M16
140	125	FLL-OLZN-DN0125-10	160	210	250	18	8	M16
160	150	FLL-OLZN-DN0150-1-10	180	240	285	22	8	M20
180	150	FLL-OLZN-DN0150-2-10	188	240	285	22	8	M20
200	200	FLL-OLZN-DN0200-1-10	235	295	340	22	8	M20
225	200	FLL-OLZN-DN0200-2-10	238	295	340	22	8	M20
250	250	FLL-OLZN-DN0250-1-10	288	350	395	22	12	M20
280	250	FLL-OLZN-DN0250-2-10	294	350	395	22	12	M20
315	300	FLL-OLZN-DN0300-10	338	400	445	22	12	M20
355	350	FLL-OLZN-DN0350-10	376	460	505	22	16	M20
400	400	FLL-OLZN-DN0400-10	430	515	565	26	16	M24
450	500	FLL-OLZN-DN0500-1-10	517	620	670	26	20	M24
500	500	FLL-OLZN-DN0500-2-10	533	620	670	26	20	M24
560	600	FLL-OLZN-DN0600-1-10	618	725	780	30	20	M27
630	600	FLL-OLZN-DN0600-2-10	645	725	780	30	20	M27
710	700	FLL-OLZN-DN0700-10	740	840	895	30	24	M27
800	800	FLL-OLZN-DN0800-10	843	950	1015	33	24	M30
900	900	FLL-OLZN-DN0900-10	947	1050	1115	33	28	M30
1000	1000	FLL-OLZN-DN1000-10	1050	1160	1230	36	28	M33



Flanșă liberă OL - ZN PN 16 (1/2) PE - OL Flange PN 10



Diametru Diameter	DN	Cod Code	d1	a	D	f	Nr. găuri No. of holes	Șurub Screw
25	20	FLL-OLZN-DN0020-16	34	75	105	14	4	M12
32	25	FLL-OLZN-DN0025-16	43	85	115	14	4	M12
40	32	FLL-OLZN-DN0032-16	50	100	140	18	4	M16
50	40	FLL-OLZN-DN0040-16	62	110	150	18	4	M16
63	50	FLL-OLZN-DN0050-16	78	125	165	18	4	M16
75	65	FLL-OLZN-DN0065-16	95	145	185	18	4	M16
90	80	FLL-OLZN-DN0080-16	109	160	200	18	8	M16
110	100	FLL-OLZN-DN0100-1-16	130	180	220	18	8	M16
125	100	FLL-OLZN-DN0100-2-16	135	180	220	18	8	M16
140	125	FLL-OLZN-DN0125-16	160	210	250	18	8	M16
160	150	FLL-OLZN-DN0150-1-16	180	240	285	22	8	M20
180	150	FLL-OLZN-DN0150-2-16	190	240	285	22	8	M20
200	200	FLL-OLZN-DN0200-1-16	235	295	340	22	12	M20
225	200	FLL-OLZN-DN0200-2-16	238	295	340	22	12	M20
250	250	FLL-OLZN-DN0250-1-16	288	355	405	26	12	M24
280	250	FLL-OLZN-DN0250-2-16	294	355	405	26	12	M24
315	300	FLL-OLZN-DN0300-16	338	410	460	26	12	M24
355	350	FLL-OLZN-DN0350-16	376	470	520	26	16	M24





Flanșă liberă OL - ZN PN 16 (2/2)
PE - OL Flange PN 10



Product Certification
BUREAU VERITAS
Certification



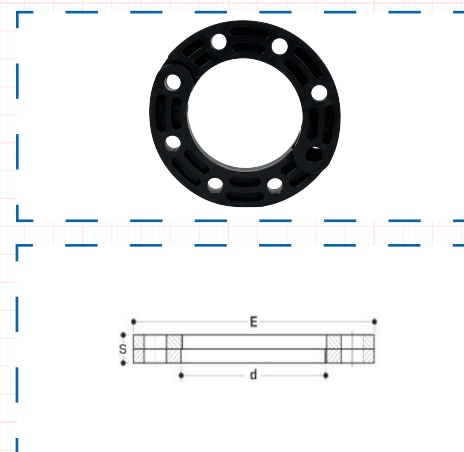
Diametru Diameter	DN	Cod Code	d1	a	D	f	Nr. găuri No. of holes	Șurub Screw
400	400	FLL-OLZN-DN0400-16	430	525	580	30	16	M27
450	500	FLL-OLZN-DN0500-1-16	517	650	715	33	20	M30
500	500	FLL-OLZN-DN0500-2-16	533	650	715	33	20	M30
560	600	FLL-OLZN-DN0600-1-16	618	770	840	36	20	M33
630	600	FLL-OLZN-DN0600-2-16	645	770	840	36	20	M33
710	700	FLL-OLZN-DN0700-16	740	840	910	36	24	M33
800	800	FLL-OLZN-DN0800-16	843	950	1025	39	24	M36
900	900	FLL-OLZN-DN0900-16	947	1050	1125	39	28	M36
1000	1000	FLL-OLZN-DN1000-16	1050	1170	1255	42	28	M39



Flanșă demontabilă PP
PP split flange



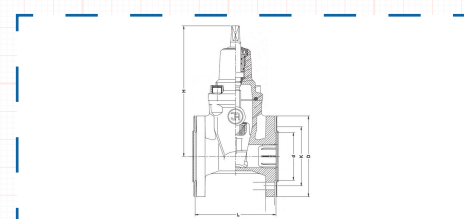
Diametru Diameter	D	PN	E	d	L	f	Nr. găuri No. of holes	S
1"1/2	40	16	152	58,0	110	18	4	18
2"	50	16	165	76,0	125	18	4	18
2"1/2	65	16	185	90,0	145	18	8	20
3"	80	16	200	107,0	160	18	8	20
4"	100	16	220	130,5	180	18	8	24
5"	125	10	250	165,5	210	18	8	26
6"	150	10	285	184,0	240	22	8	28



Robinet sertar pană cauciucată corp plat fără roată
Gate valve flat body with handweel



Diametru DN Diameter DN	PN	Cod Code	L	H	d	D	K
40	16	2111-DN040	140	231	88	150	110
50	16	2111-DN050	150	241	102	165	125
65	16	2111-DN065	170	283	122	185	145
80	16	2111-DN080	180	307	138	200	160
100	16	2111-DN100	190	346	158	220	180
125	16	2111-DN125	200	385	188	250	210
150	16	2111-DN150	210	457	212	285	240
200	16	2111-DN200	230	534	268	340	295
200	10	2111-DN200-10	230	534	268	340	290
250	16	2111-DN250	250	633	320	405	355
250	16	2111-DN250-10	250	633	320	405	350
300	16	2111-DN300	270	708	378	460	410
300	16	2111-DN300-10	270	708	378	460	400
350	16	2111-DN350	290	820	429	520	470
350	10	2111-DN350-10	290	820	429	520	460
400	16	2111-DN400	310	1020	480	580	525
400	10	2111-DN400-10	310	1020	480	580	515
450	16	2111-DN450	330	1080	530	640	585
450	10	2111-DN450-10	330	1080	530	640	565
500	16	2111-DN500	350	1220	582	715	650
500	10	2111-DN500-10	350	1220	582	715	620
600	16	2111-DN600	390	1345	682	840	770
600	10	2111-DN600-10	390	1345	682	840	725





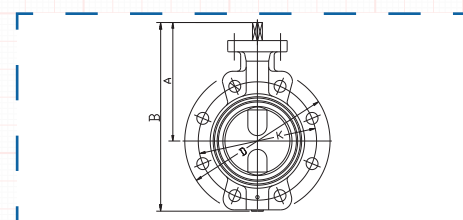
Robinet cu clapă fluture, Wafer Butterfly valve



Product Certification
BUREAU VERITAS
Certification



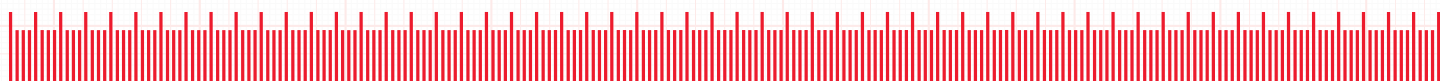
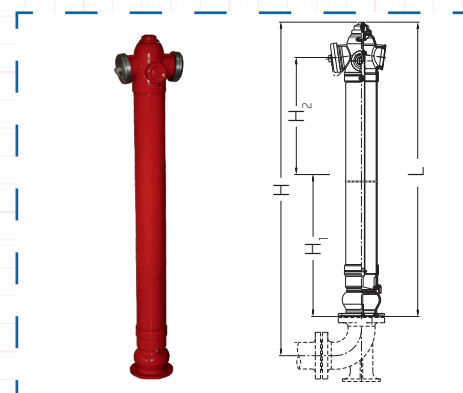
Diametru DN Diameter DN	PN	Cod Code	A	B	D	K
50	16	4497-DN050	137	222	165	125
65	16	4497-DN065	150	235	185	145
80	16	4497-DN080	160	245	200	160
100	16	4497-DN100	182	280	220	180
125	16	4497-DN125	207	328	250	210
150	16	4497-DN150	223	357	285	240
200	16	4497-DN200	255	418	340	295
200	10	4497-DN200-10	255	418	340	295
250	16	4497-DN250	314	510	405	355
250	10	4497-DN250-10	314	510	395	350
300	16	4497-DN300	342	564	460	410
300	10	4497-DN300-10	342	564	445	400
350	16	4497-DN350	365	640	520	470
350	10	4497-DN350-10	365	640	505	460
400	16	4497-DN400	410	725	580	525
400	10	4497-DN400-10	410	725	565	515
500	16	4497-DN500	490	866	715	650
500	10	4497-DN500-10	490	866	670	620
600	16	4497-DN600	565	1031	840	770
600	10	4497-DN600-10	565	1031	780	725
700	16	4497-DN700	610	1120	910	840
700	10	4497-DN700-10	610	1120	895	840
800	16	4497-DN800	-	-	-	-
800	10	4497-DN800-10	-	-	-	-
900	16	4497-DN900	-	-	-	-
900	10	4497-DN900-10	-	-	-	-
1000	16	4497-DN1000	-	-	-	-
1000	10	4497-DN1000-10	-	-	-	-
1200	16	4497-DN1200	-	-	-	-
1200	10	4497-DN1200-10	-	-	-	-



Hidrant suprateran fără protecție la rupere Overground hydrant without protection from breaking



Diametru DN Diameter DN	Adâncimea de îngropare Burring depth	Cod Code	L	H	H1	H2
80	RD=1250 mm	8855-DN80-1	1890	2060	1130	640
80	RD=1500 mm	8855-DN80-2	2140	2310	1380	640
80	RD=1800 mm	8855-DN80-3	2440	2610	1680	640
100	RD=1250 mm	8855-DN100-1	1950	2150	1360	640
100	RD=1500 mm	8855-DN100-2	2200	2400	1360	640

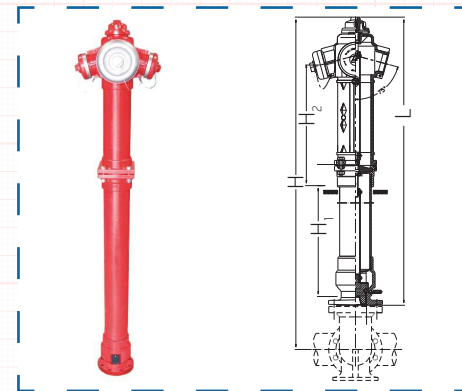




Hidrant suprateran PN 10/16 cu protecție la rupere
Overground hydrant with protection from breaking



Diametru DN Diameter DN	Adâncimea de îngropare Burring depth	Cod Code	L	H	H1	H2
100	1250	8004-DN100-1	1950	2150	1110	640
100	1500	8004-DN100-2	2200	2400	1360	640
100	1800	8004-DN100-3	2500	2700	1660	640



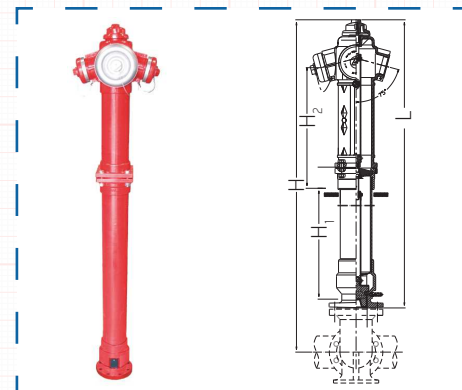
Product Certification
BUREAU VERITAS
Certification



Hidrant suprateran PN 10/16 cu protecție la rupere
Overground hydrant with protection from breaking



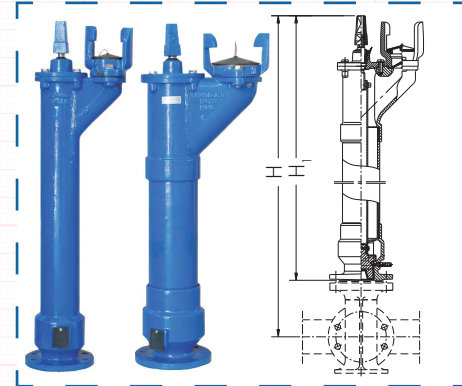
Diametru DN Diameter DN	Adâncimea de îngropare Burring depth	Cod Code	L	H	H1	H2
80	1250	8004-DN80-1	1890	2060	1130	640
80	1500	8004-DN80-2	2140	2310	1380	640
80	1800	8004-DN80-3	2440	2610	1680	640



Hidrant subteran PN 10/16
Underground hydrant PN 10/16



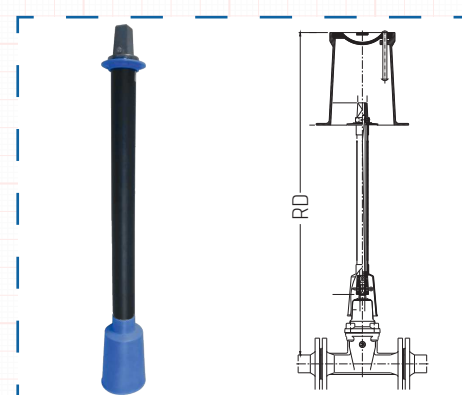
Diametru DN Diameter DN	Adâncimea de îngropare Burring depth	Cod Code	H	H1
80	1000	88511-8851-DN80-1	915	750
80	1250	88511-8851-DN80-2	1165	1000
80	1500	88511-8851-DN80-3	1415	1250
100	1250	88511-8851-DN100-1	1185	1000
100	1000	88511-8851-DN100-2	935	750
100	1500	88511-8851-DN100-3	1435	1250



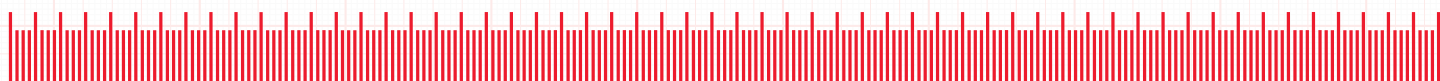
Tijă prelungitoare fixă
Fixed extension rod



Diametru Diameter	Material	Cod Code	RD mm
25-30	fontă / cast iron	9010-DN25-30	1000
45-50	fontă / cast iron	9010-DN45-50	1000
65-80	fontă / cast iron	9010-DN65-80	1000
100-150	fontă / cast iron	9010-DN100-150	1000
200	fontă / cast iron	9010-DN200	1000
250-350	fontă / cast iron	9010-DN250-350	1000
400-450	fontă / cast iron	9010-DN400-450	1250
500-600	fontă / cast iron	9010-DN500-600	2000



La cerere și alte dimensiuni. On request other dimensions





Cot fontă cu picior și flanșe PN 10/16
Cast iron elbow



Diametru Diameter	Cod Code	l
80/65	9202-DN080-DN65	165
80	9202-DN080	165
100	9202-DN100	180

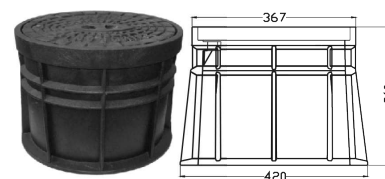
Product Certification
BUREAU VERITAS
Certification



Cutie de protecție pentru hidranți subterani
Protection box for underground hydrant



Diametru Diameter	Material	Cod Code	l	l2	L	L2
65	Corp PEHD, capac fontă / PEHD body, cast iron cover	9502-DN65	340	420	342	357
80	RD=1500 mm	9502-DN80	340	420	342	357
100	RD=1800 mm	9502-DN100	340	420	342	357



Roată de manevră
Handweel



Diametru DN Diameter DN	Adâncimea de îngropare Burring depth	Cod Code	D mm	s mm	M kg
25-30	fontă / cast iron	9301-DN25-30	160	12	0,9
45-50	fontă / cast iron	9301-DN45-50	200	14	1,3
65-80	fontă / cast iron	9301-DN65-80	200	17	1,6
100-150	fontă / cast iron	9301-DN100-150	250	19	2,7
200	fontă / cast iron	9301-DN200	320	24	4,7
250-350	fontă / cast iron	9301-DN250-350	320	27	4,8
400-450	fontă / cast iron	9301-DN400-450	630	27	3,8
500-600	fontă / cast iron	9301-DN500-600	630	32	3,8

